



Product Catalogue 06 sec 03
Fan Coil type AFCU-A



Offshore
AERONMOLLIER

Phone: +47 38 32 78 00
E-mail: adm.aeronmollier@afgruppen.no
www.aeronmollier.no



Aeron fan coil unit are designed for local cooling in steer gear room, thruster room or similar. It is made out of galvanized steel plates. It is equipped with a drip tray with four outlets for condensate water. It shall be connected to a chilled water plant and it is designed for 100% return air.

The fan coil is equipped with a 1-speed electrical motor, IP-55, suitable for marine environments. The unit can be delivered with a control panel for start/stop of unit. It can also be controlled with a frequency converter as an option.

The fan coil is standard delivered with side cover on both sides. A protection grid on air inlet is standard for protection of fins.

AIR DATA:

Type	Air volume	Face velocity	Inlet temperature	Outlet temperature	Inlet humidity	Outlet humidity
AFCU-15-CW-A	2.900 m ³ /h	2,31 m/s	30°C	17,2°C	35% RH	71,6% RH
AFCU-20-CW-A	2.900 m ³ /h	2,31 m/s	30°C	14,1°C	35% RH	81,9% RH
AFCU-25-CW-A	2.900 m ³ /h	2,31 m/s	30°C	12,5°C	35% RH	87,8% RH
AFCU-30-CW-A	4.600 m ³ /h	2,30 m/s	30°C	13,7°C	35% RH	83,3% RH
AFCU-40-CW-A	4.600 m ³ /h	2,30 m/s	30°C	10,2°C	35% RH	91,4% RH
AFCU-50-CW-A	6.000 m ³ /h	3,31 m/s	30°C	10,9°C	30% RH	

Type	Air pressure drop	Noise level	Cooling capacity
AFCU-15-CW-A	46,7 Pa	66 dB	15 kW
AFCU-20-CW-A	70,0 Pa	68 dB	20 kW
AFCU-25-CW-A	93,3 Pa	73 dB	25 kW
AFCU-30-CW-A	67,3 Pa	79 dB	30 kW
AFCU-40-CW-A	89,7 Pa	78 dB	40 kW
AFCU-50-CW-A	89,7 Pa	81 dB	50 kW

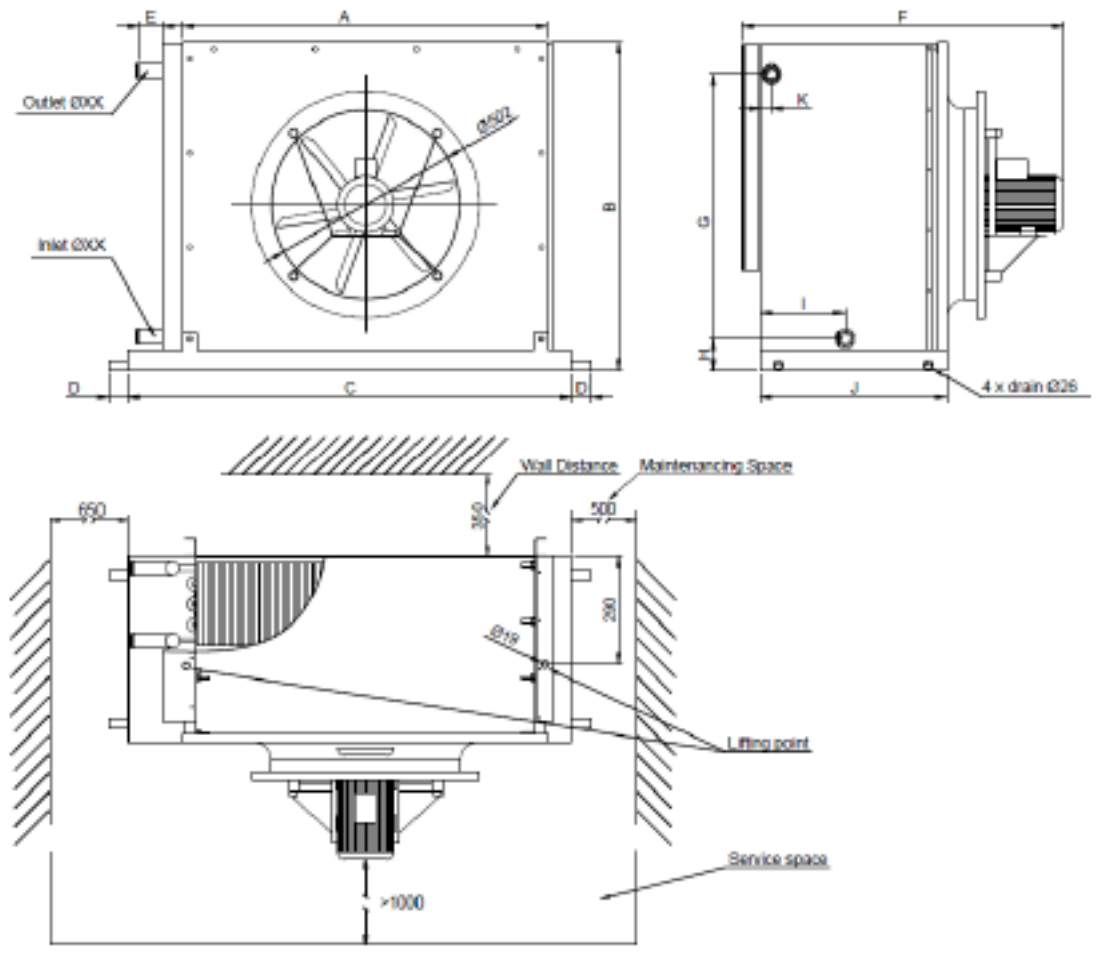
FLUID SIDE DATA:

Type	Water inlet temperature	Water outlet temperature	Water flow	Water pressure drop	Condensate
AFCU-15-CW-A	6°C	12°C	0,63 l/s	19,2 kPa	1,4 l/h
AFCU-20-CW-A	6°C	12°C	0,84 l/s	14,9 kPa	1,7 l/h
AFCU-25-CW-A	6°C	12°C	1,05 l/s	28,1 kPa	2,1 l/h
AFCU-30-CW-A	6°C	12°C	1,26 l/s	12,0 kPa	2,2 l/h
AFCU-40-CW-A	6°C	12°C	1,68 l/s	29,2 kPa	4,4 l/h
AFCU-50-CW-A	6°C	12°C	2,10 l/s	12,2 kPa	5,8 l/h

ELECTRICAL DATA:

Type	3~ motor	Voltage	Frequency	Power	Rated current
AFCU-15-CW-A	MS-71 1-6	Δ 230V	50Hz/ 60Hz	0,18kW/ 0,21kW	Δ1,40A/ 1,40A
AFCU-15-CW-A	MS-71 1-6	Y 440V	50Hz/ 60Hz	0,18kW/ 0,21kW	Y0,79A/ 0,80A
AFCU-20-CW-A	MS-71 1-6	Δ 230V	50Hz/ 60Hz	0,18kW/ 0,21kW	Δ1,40A/ 1,40A
AFCU-20-CW-A	MS-71 1-6	Y 440V	50Hz/ 60Hz	0,18kW/ 0,21kW	Y0,79A/ 0,80A
AFCU-25-CW-A	MS-71 3-4	Δ 230V	50Hz/ 60Hz	0,55kW/ 0,55kW	Δ2,82A/ 2,82A
AFCU-25-CW-A	MS-71 3-4	Y 440V	50Hz/ 60Hz	0,55kW/ 0,64kW	Y1,62A/ 2,82A
AFCU-30-CW-A	MS-71 3-4	Δ 230V	50Hz/ 60Hz	0,55kW/ 0,55kW	Δ2,82A/ 2,82A
AFCU-30-CW-A	MS-71 3-4	Y 440V	50Hz/ 60Hz	0,55kW/ 0,64kW	Y1,62A/ 2,82A
AFCU-40-CW-A	MS-71 3-4	Δ 230V	50Hz/ 60Hz	0,55kW/ 0,55kW	Δ2,82A/ 2,82A
AFCU-40-CW-A	MS-71 3-4	Y 440V	50Hz/ 60Hz	0,55kW/ 0,64kW	Y1,62A/ 2,82A
AFCU-50-CW-A	MS-80 2-4	Δ 230V	50Hz/ 60Hz	0,75kW/ 0,75kW	Δ3,57A/ 3,57A
AFCU-50-CW-A	MS-80 2-4	Y 440V	50Hz/ 60Hz	0,75kW/ 0,87kW	Y3,05A/ 2,08A

Type	Gross weight w/el-motor	Net weight w/el-motor	Weight el-motor
AFCU-15-CW-A	130 kg	71 kg	6,0 kg
AFCU-20-CW-A	135 kg	78 kg	6,0 kg
AFCU-25-CW-A	145 kg	85 kg	7,8 kg
AFCU-30-CW-A	195 kg	103 kg	7,8 kg
AFCU-40-CW-A	205 kg	112 kg	7,8 kg
AFCU-50-CW-A	215 kg	133 kg	10,6 kg



	AFCU-15-CW-A	AFCU-20-CW-A	AFCU-25-CW-A	AFCU-30-CW-A	AFCU-40-CW-A	AFCU-50-CW-A
A	670	670	670	870	870	970
B	645	645	645	775	775	875
C	880	880	880	1080	1080	1180
D	50	50	50	50	50	50
E	70	70	70	70	70	60
F	670	670	835	855	855	855
G	567	570	565	695	695	790
H	85	85	85	85	85	85
I	115	170	225	170	225	225
J	498	498	498	498	498	498
K	30	35	35	35	30	30
XX	Ø35	Ø35	Ø35	Ø35	Ø35	Ø35